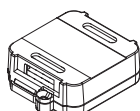
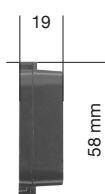


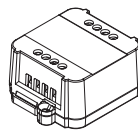
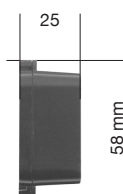


FEATURES DLM SINGLE-CHANNEL BUS
BUS+DIMMER+FADER+DRIVER
DC Input: 12-24V DC or 12-48V DC
BUS Command: DMX512-RDM or DALI
Analogic Auto Detection: N.O. Push-button / 0-10V / 1-10V / Potentiometer
Voltage Outputs for R loads or R-L-C loads
Typical efficiency > 95%
Adjusting the brightness up to completed off
Soft start and soft stop
Optimized Output curve
100% functional test - 5 years warranty

Push	Minimum Level Setting
Menù	Fade In / Fade Out



DLM 12-24

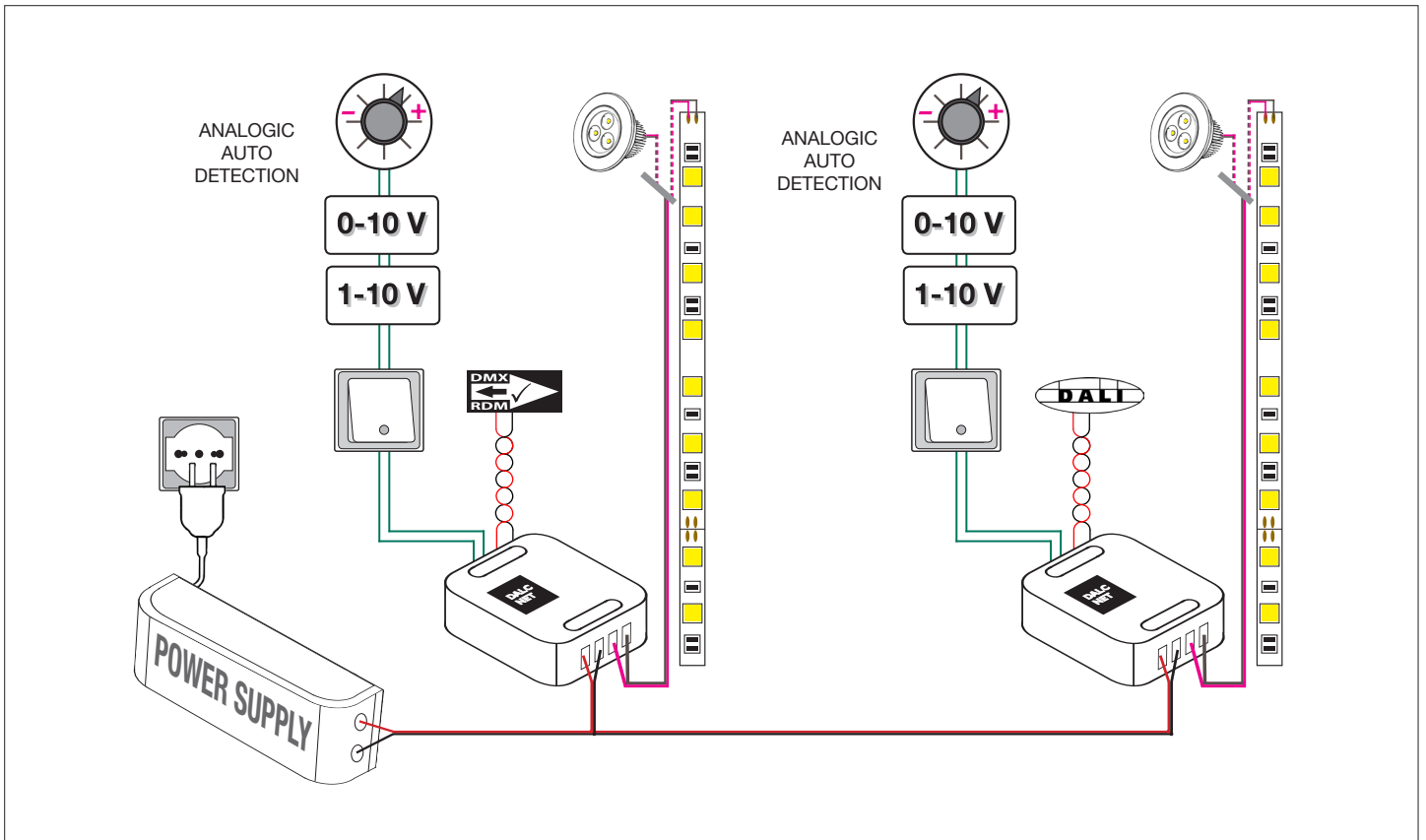


DLM 12-48



CODE	CV / CC	Supply Voltage	Output	Channels	Command
DLM1224-1CV-DALI	CV	12-24V DC	1 x 10A	1	DALI Analogic Auto Detection : N.O. Push button / 0-10V / 1-10V / Potentiometer
DLM1224-1CV-DMX	CV	12-24V DC	1 x 10A	1	DMX Analogic Auto Detection : N.O. Push button / 0-10V / 1-10V / Potentiometer
DLM1248-1CV-DALI	CV	12-48V DC	1 x 6,5A	1	DALI Analogic Auto Detection : N.O. Push button / 0-10V / 1-10V / Potentiometer
DLM1248-1CV-DMX	CV	12-48V DC	1 x 6,5A	1	DMX Analogic Auto Detection : N.O. Push button / 0-10V / 1-10V / Potentiometer





DLM SINGLE CHANNEL DALI DMX

	12-24V DC	12-48V DC
	Constant Voltage	Constant Voltage
Output Current	10 A	6,5 A
Nominal Power 12V	120 W	78 W
Nominal Power 24V	240 W	156 W
Nominal Power 48V	-	312 W
Supply Voltage	min: 10.8 Vdc - max: 26.4 Vdc	min: 10.8 Vdc - max: 52.8 Vdc
D-PWM Dimming Frequency	300 Hz	300 Hz
Ambient Temperature	min: -10 C° max: +40 C°	min: -10 C° max: +40 C°
Protection Grade	IP20	IP20
Mechanical Dimension	45 x 58 x 19 mm	45 x 58 x 25 mm
Packaging Dimension	68 x 56 x 35 mm	68 x 56 x 35 mm
Weight	37 g	43 g

