

Product Specifications

Name: DALI Repeater

Model: LN-DALIREPEATER



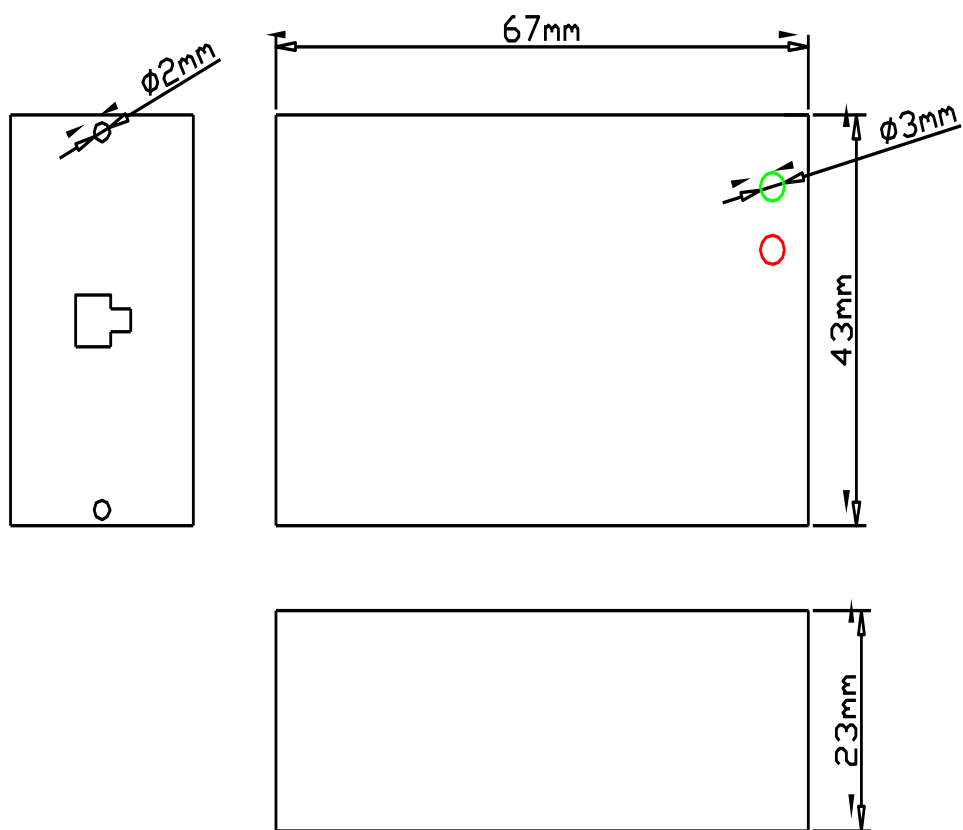
Summarization

DMX repeater adopt advanced computer control chip, this product can enhance DALI signal, expand DALI signal transmission distance, can expand the DALI signal transmission distance from 300m to 600m, can use for build DALI Star Network.

Technical parameters

- Working temperature: -20-60°C
- Power supply: DALI signal
- Input signal: Standard DALI signal
- Output signal: Standard DALI signal
- Input current: $\leq 6\text{mA}$
- Output current: $\leq 4\text{mA}$
- Gross weight: 73g
- Net weight: 49g
- External dimension: L67xW43xH23 mm
- Packing size: L105xW65xH40 mm
- Connection mode: 2pin green connection pillar

External Dimension:



Interface Specifications:

DALI signal input port



DALI signal output port

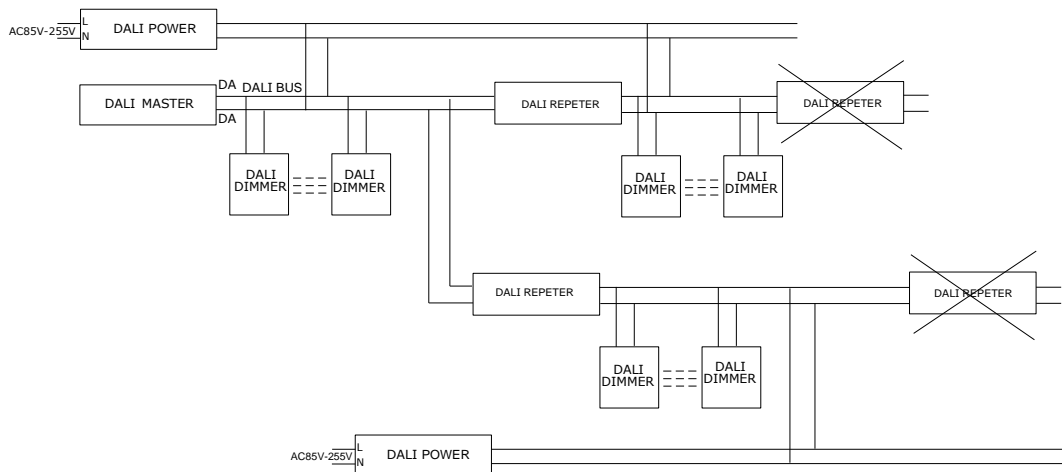


Direction for use:

1. Connect the signal wire first, then the load wire, finally the power wire; **Please ensure short circuit can not occur between connecting wire before you turn on the power;**
2. Red indicator light: the power light always be on represent the access power supply connection is correct, internal switch power supply work normally, jumping flash represent the power joint back or short circuit.
3. Green indicator light: the signal indicator light twinkle, then represent the repeaters communicate abnormal.
4. Because signal delay, so in one line can not connect multiple DALI signal repeaters.
5. 64 DALI addresses can be set in DALI BUS, the original DALI BUS maximum control equipment number is the same.
6. Because there is the electronic segregation between the main circuit and slave circuit, so each DALI repeater need to equip extra DALI power supply device.

Typical Application

Signal host mode:



Multiple host mode:

