

DMX701 DMX four channels rail decoder

Specifications



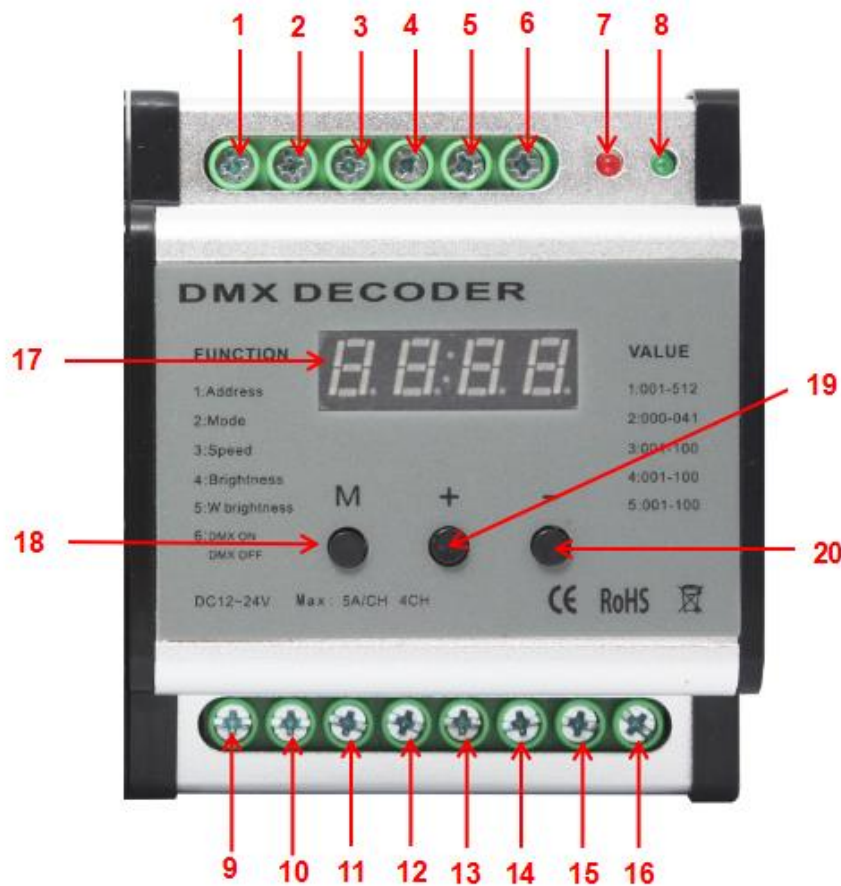
1. Summarization

DMX4 channel rail decoder is our new high-end DMX decoder for new research and development, with aluminum alloy shell, the appearance of fine, stylish. Using a button with a variety of digital control parameters, greatly facilitate the use of the user. It is used to analyze the DMX512 signal, control a variety of LED as the light source of the lamps, such as point light, soft light, wall washer, panel lights, and built a variety of 42 models for offline use. With easy wiring and simple use and so on.

2. Electrical parameter

- 2.1 Work temperature:-20-60°C
- 2.2 Supply voltage: DC12-24V
- 2.3 Output: 4 channels
- 2.4 Connect way: common anode
- 2.5 External dimension: L72XW90XH58mm
- 2.6 Packing size: L100*W90*H70mm
- 2.7 Net weight:250g
- 2.8 Gross weight: 290g
- 2.9 Static power consumption: <3W
- 2.10 Output current: 5A/CH
- 2.11 Output power: 12V:<240W, 24V:<480W

3. Interface description



NOS	Function	NOS	Function
①	DMX Output GND	⑪	B channel
②	DMX Output D+	⑫	G channel
③	DMX Output D-	⑬	R channel
④	DMX Input GND	⑭	Power V+
⑤	DMX Input D+	⑮	Power V+
⑥	DMX Input D-	⑯	Power V-
⑦	Power Indicator	⑰	Digital display
⑧	DMX Signal indicator	⑱	Menu button
⑨	Power V+	⑲	Value plus key
⑩	W channel	⑳	Value minus key

4. Key Function Description

4.1 M: Menu button, press once to enter the next menu option

4.2 +: Press the button, the current digital display value increased by 1, long press the rapid value-added

4.3 -: Press the button, the current digital display value minus by 1, long press the rapid value minus

4.4 The menu description and its values are listed in the following table:

Menu	Value Range	Description
Address (A)	1-512	The address of the decoder
Mode (M)	0-41	Built-in mode when DMX data is not received
Speed (S)	1-100	Built-in mode speed
Brightness (b)	1-100	Built-in mode brightness
W channel brightness (W)	1-100	The brightness of the W channel when DMX data is not received
DMX receives (o)	0-1	0: Do not receive DMX signal 1: Receive DMX signal

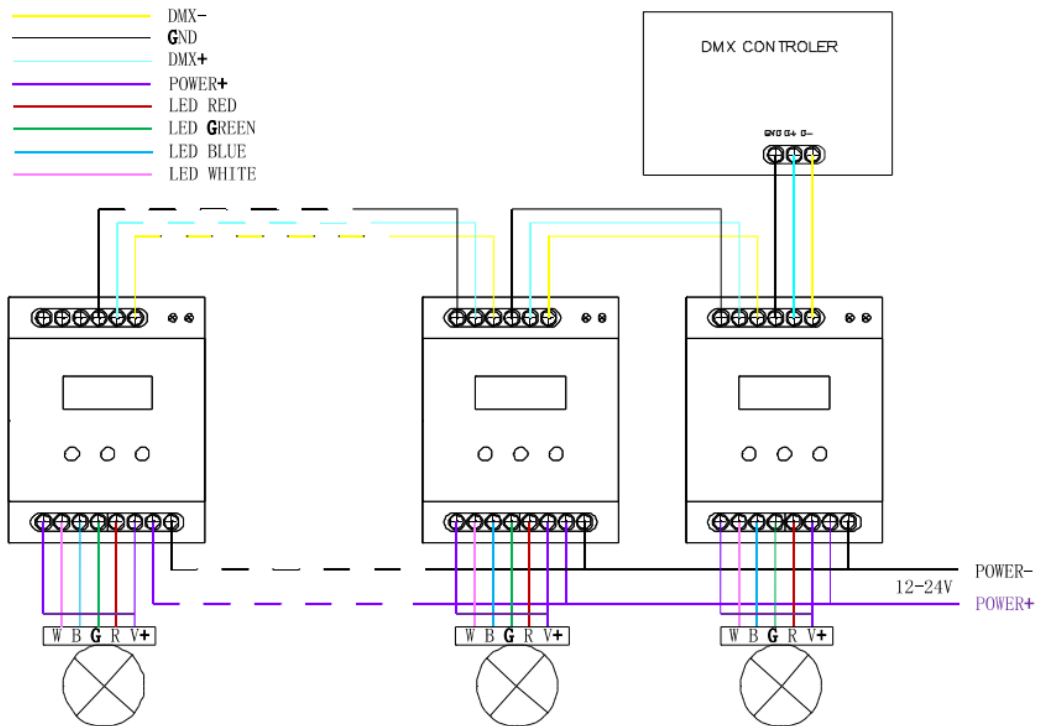
4.5 Standard change function

Menu	Mode	Remarks	Menu	Mode	Remarks
0	Static black silk	Speed and brightness is not adjustable	21	Red and green gradient	Speed adjustable, brightness is not adjustable
1	Static red	Speed is not adjustable, brightness adjustable	22	Red burst flash	Speed and the brightness can be adjustable
2	Static green	Speed is not adjustable, brightness adjustable	23	Green burst flash	Speed and the brightness can be adjustable
3	Static blue	Speed is not adjustable, brightness adjustable	24	Blue burst flash	Speed and the brightness can be adjustable

4	Static yellow	Speed is not adjustable, brightness adjustable	25	Yellow burst flash	Speed and the brightness can be adjustable
5	Static purple	Speed is not adjustable, brightness adjustable	26	Purple burst flash	Speed and the brightness can be adjustable
6	Static cyan	Speed is not adjustable, brightness adjustable	27	Cyan burst flash	Speed and the brightness can be adjustable
7	Static white	Speed is not adjustable, brightness adjustable	28	White burst flash	Speed and the brightness can be adjustable
8	Three-color jump	Speed and the brightness can be adjustable	29	Three-color burst flash	Speed and the brightness can be adjustable
9	Seven-color jump	Speed and the brightness can be adjustable	30	Seven-color bursts flash	Speed and the brightness can be adjustable
10	Three-color gradient	Speed adjustable, brightness is not adjustable	31	Three-color flicker	Speed and the brightness can be adjustable
11	Seven color gradient	Speed adjustable, brightness is not adjustable	32	Seven-color flicker	Speed and the brightness can be adjustable
12	Red strobe	Speed and the brightness can be adjustable	33	Red breath gradient	Speed adjustable, brightness is not adjustable
13	Green strobe	Speed and the brightness can be adjustable	34	Green breath gradient	Speed adjustable, brightness is not adjustable
14	Blue strobe	Speed and the brightness can be adjustable	35	Blue breath gradient	Speed adjustable, brightness is not adjustable
15	Yellow strobe	Speed and the brightness can be adjustable	36	Yellow breath gradient	Speed adjustable, brightness is not adjustable
16	Purple strobe	Speed and the brightness can be adjustable	37	Purple breath gradient	Speed adjustable, brightness is not adjustable
17	Cyan strobe	Speed and the brightness can be adjustable	38	Cyan breath gradient	Speed adjustable, brightness is not adjustable
18	White strobe	Speed and the brightness can be	39	White breath gradient	Speed adjustable, brightness is not

		adjustable			adjustable
19	Red and blue gradient	Speed adjustable, brightness is not adjustable	40	Three-color breath gradient	Speed adjustable, brightness is not adjustable
20	blue and cyan gradient	Speed adjustable, brightness is not adjustable	41	Seven-color breath gradient	Speed adjustable, brightness is not adjustable

5. Typical applications



6. Remarks

6.1 Connect the load wire at first, following by the power wire; **Please ensure short circuit can not occur between connecting wire before you turn on the power.**

6.2 The range of power supply voltage is DC12V, more than voltage range maybe burn out the controller.