

Product Specifications

Name: DMX MODULE

Model: LN-DMXMODEL-3CH-LV-12V



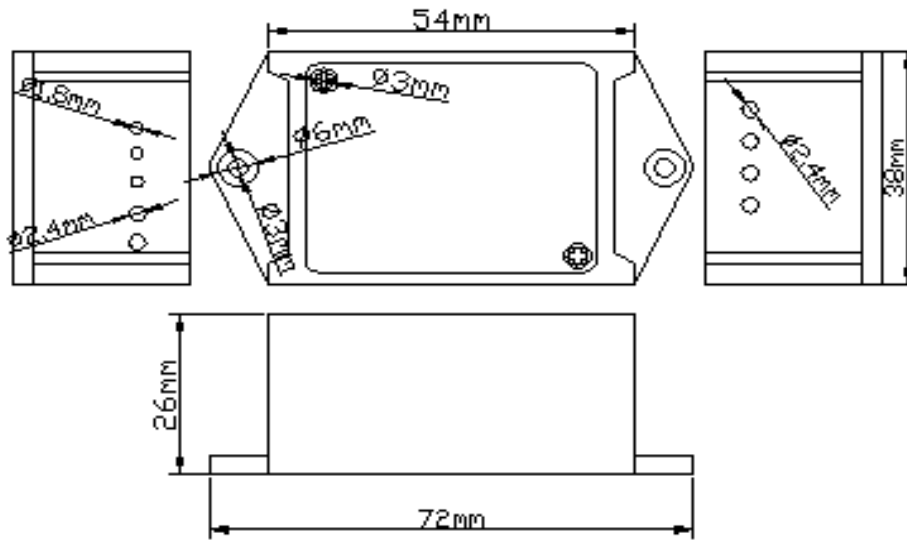
Summarization

DMX module adopts the advanced micro control unit, it receives widespread international way that transformed the DMX-512 standard digital control signals into PWM controller signals for driving LED; You could connect DMX module with DMX digital console to achieve dimming or various changes in procedures.

Technical Parameters

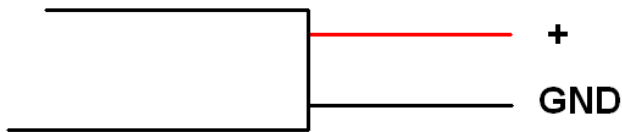
- Working temperature: -20-60 °C
- Supply voltage: 12V
- Output: 3 channel
- Grayscale: 256
- The number of occupied channel: 3
- Connecting mode: common anode
- External dimension: L72*W38*H26 mm
- Packing size: L105*W65*H40 mm
- Net weight: 40g
- Gross weight: 75g
- Static power consumption: <1W
- Output current: <2A(each channel)
- Output power: 12V:<72W

External Dimension



Interface Specifications

Power input interface:



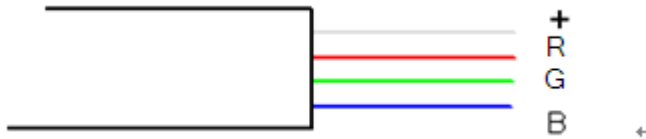
Adopt two sheath wires as connecting wires, meanwhile, **Red wire** → +12V **Black wire** → GND

DMX signal interface:



Adopt three sheath wires as connecting wires, meanwhile, **Black wire** → GND **Red wire** → DATA+ **Blue wire** → DATA-

Load output interface:



Adopt four sheath wires as connecting wires, meanwhile, **White wire** → + **Red wire** → R
Green wire → G **Blue wire** → B

Selectable module mode

No	Patterns	No	Patterns
1	Static black	12	Seven-color gradual changing
2	Static red	13	Red stroboflash
3	Static green	14	Blue stroboflash
4	Static yellow	15	Purple stroboflash
5	Static blue	16	Green stroboflash
6	Static purple	17	Yellow stroboflash
7	Static cyan	18	Cyan stroboflash
8	Static white	19	White stroboflash
9	Three-color jumpy changing	20	R/B crossfade
10	Seven-color jumpy changing	21	B/G crossfade
11	Three-color gradual changing	22	R/G crossfade

Direction for use

1. To connect signal wire at first, and then load wire, the last power wire; **Please ensure short circuit can not occur between connecting wire before you turn on the power;**
2. when not receiving DMX signal, module operate it's internal mode(can set by DMX editor)
3. Receiving DMX signal, the built-in function is not available,it will be controlled by computer console control;
4. You could set the address code of module (from 1 to 1022) through the DMX editor of our company.

Typical Applications

