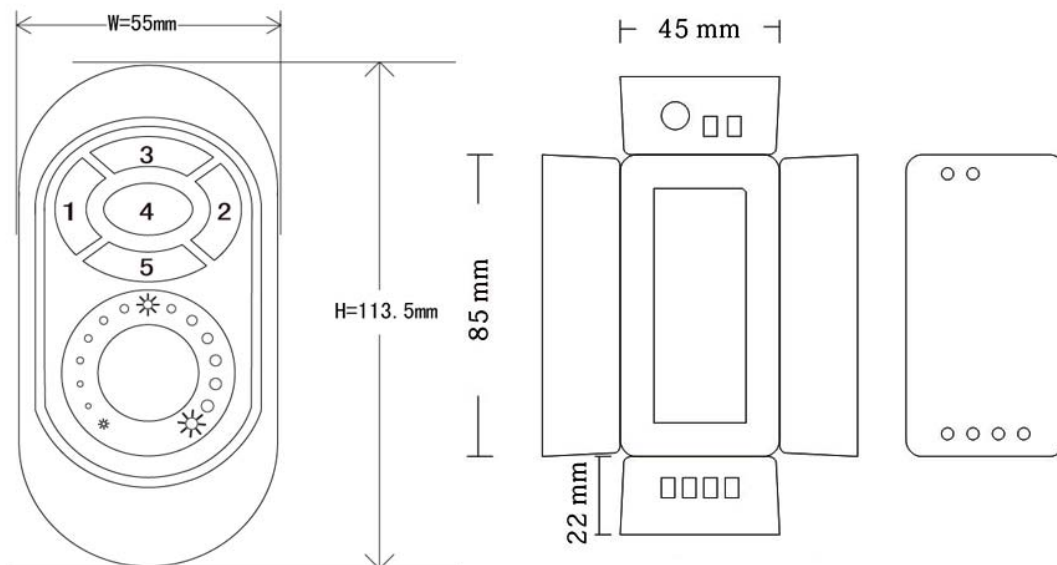


## 2.4G RF Brightness Adjusting LED Touching Remote Control System

- Instruction for SUSJ-1CH-D



### I .Product Description

This system is a high-performance brightness adjustable LED touching remote controller, adopting the most advanced PWM control technology, controlling all brightness adjustable products with constant voltage circuit design, owning 50 grades of brightness.

It is also with the memory function(means the previous settings will be resumed when power on again). Widely used in brightness adjustable LED strip lights and other LED products.

Owing to the 2.4G high RF wireless remote control technology, it has the characteristics of low power consumption, long distance remote, and strong anti-interference ability ,high speed telecommunications, etc.

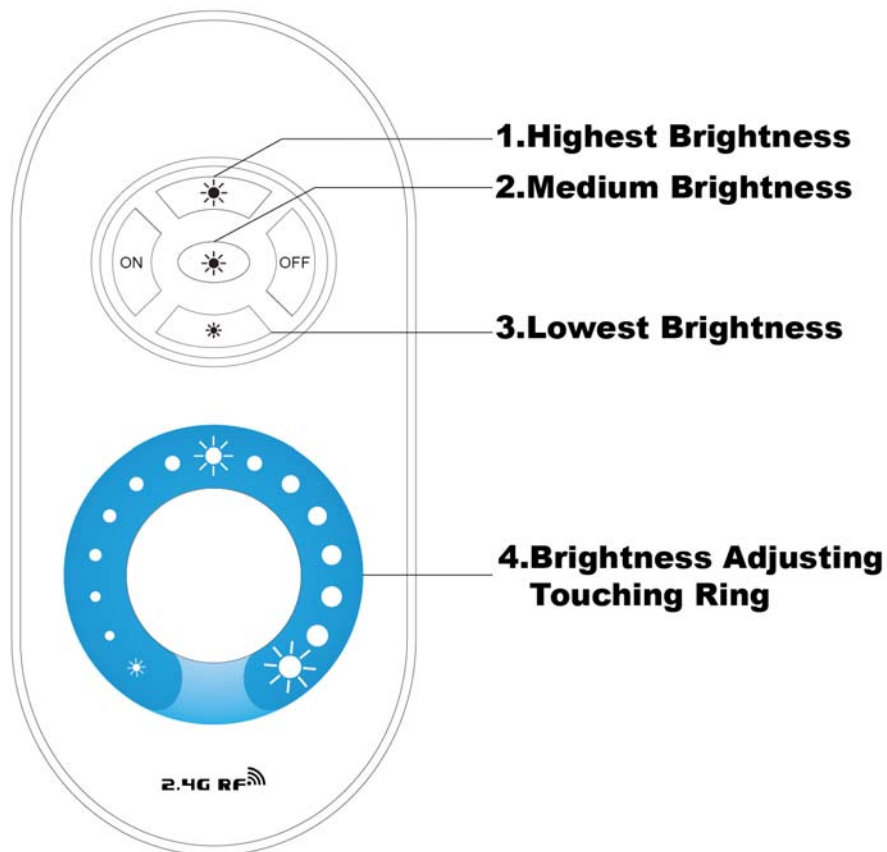
The remote looks fashionable, with simple and practical functions of brightness dimming, the capacitive touch screen design makes the remote easy to use .

The modular design and easy screwed terminals enable the controller easy to match with all kinds of LED lights.

## II. Technical Parameters

	Item	Parameters
<b>Remote</b>	Working Voltage	AAA*2pcs(3V)
	Radio Frequency	2400-2483.5MHz
	Modulate Method	GFSK
	Transmit Power	6db
	Standby Power Consumption	5uA
	Remote Distance	20-30m
	Dimension	113×55×18mm
<b>Controller</b>	Working Voltage	DC12-24V
	Max Load Control Current	6A/circuit
	Standby Power Consumption	0.5W
	Output Connection	Common anode
	Dimension	85mm×45mm×22mm

## III.Functions of Keys



#### **IV.Programming(Code Clearing and Code Matching )**

##### **Code Matching**

For a new kit ( remote& controller), the remote can work only when it is programmed to the controller.

Please follow the below instructions:

Confirm correctly connect the power supply, LED controller and LED load.

Press key 1 once within 3 seconds when power on again,the light will blink 2 times when it is done.

##### **Code Clearing**

The code can be cleared as needed.

The kit (remote and controller) will stay in the original state after code clearing,and it can work when code matching is done.

Please follow the below instructions:

Confirm correctly connect the power supply, LED controller and LED load.

Press key 1 five times within 3 seconds when power on again, the light will blink 9 times when it is done.

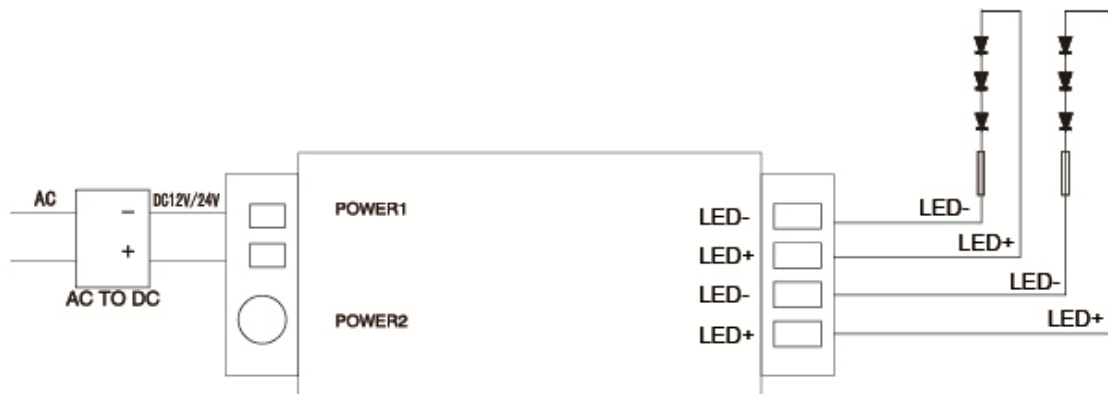
Attention:

1. The regular product for sale is a kit (remote and controller).

The user can re-programme freely as needed. One remote can control countless controllers, but one controller can only be controlled by four remotes (Max).

2. Please check the battery installation and controller (totally discharge the power), when you programme after switching off and switching on.

### V. Connection:



### VI. Attention

1. Please check whether the input voltage of the constant voltage power supply is in accordance with the controller, and please check the connection of both the cathode and anode, otherwise the controller will be broken.

2. Please do not connect wires with power on. Please switch on only when it is in right connection and no short circuit.

3. Please keep your finger off the touching ring when installing the batteries, to improve its sensitivity, and use the remote (3 seconds later) after the installation. Please reinstall the batteries, if the touching ring is found

low-sensitivity.

4. Please do not use the controller in the place with widely range metal area or strong electromagnetic wave nearby, otherwise, the remote distance will be seriously affected.

### **Caution**

1. Thanks for using color temperature and brightness adjustable LED touching remote control system, please read the instruction carefully before using. It states that you have read this instruction and accepted the caution when you start to use.