

DM110 Frequency Adjustable Dimmer

Product Specification



Led Dimmer PWM Manuale Codice Prodotto CL2272

1. Summarization

DM110 frequency adjustable dimmer can adjust brightness infinitely, adopts knob-operated control, user can adjust light to the appropriate brightness according to actual needs. Output of dimmer is 1 channel, and you can adjust PWM frequency and dimming curve through the dial switch.

2. Technical Parameters

2.1 working temperature: -20-60℃

2.2 supply voltage: DC12-24V

2.3 output: 1 channel

2.4 connection mode: common anode

2.5 external dimension: L81.5XW64XH40 mm

2.6 packing size: L90XW72XH50 mm

2.7 net weight: 140g

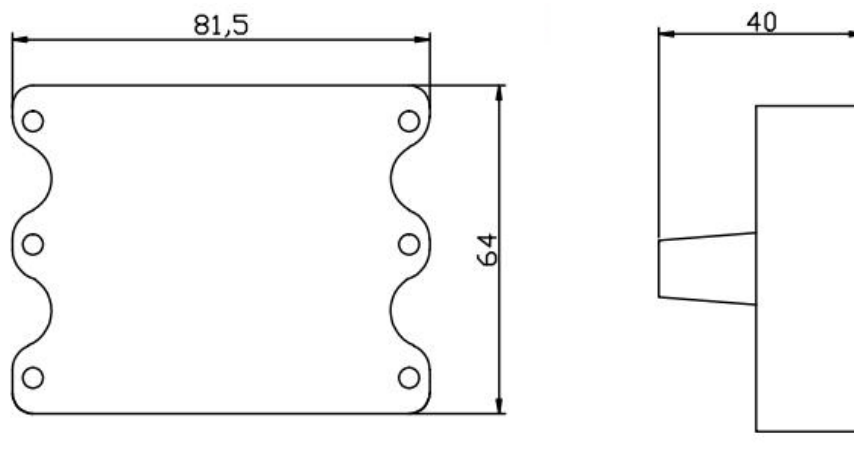
2.8 gross weight: 195g

2.9 static power consumption: <0.7W

2.10 output current: <30A

(when PWM frequency is more than 1KHZ, maximum output current will reduce accordingly)

3. External Dimension

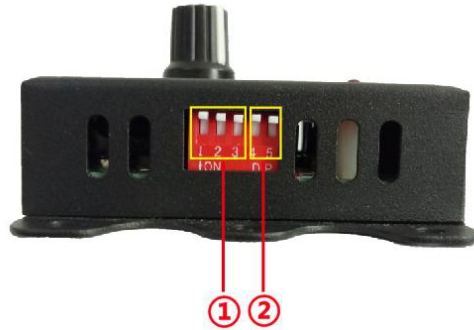


4. Interface introduction



①: Power input: V-; ②: Power input: V+; ③: Load output: V+; ④: Load output: V-;

⑤: Red light is power indicator; ⑥: Green light is output indicator;



- ①: DIP switch for selecting PWM frequency: 1-3, the PWM frequency is 300 hz
- ②: DIP switch for selecting dimming curve: 4-5, Curve to 1 (linear)

5. Instruction for use

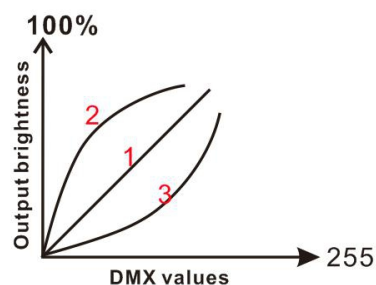
5.1 function instruction

5.1.1 select PWM frequency: can output frequency 00HZ/500HZ/700HZ/1KHZ/3KHZ/5KHZ/10KHZ, the output frequency depends on DIP mode, (when dial is 111, output is 0, and light is off); as below:

Dial code 1	Dial code 2	Dial code 3	PWM
0	0	0	300HZ
1	0	0	500HZ
0	1	0	700HZ
1	1	0	1KHZ
0	0	1	3KHZ
1	0	1	5KHZ
0	1	1	10KHZ

5.1.1 select dimming curve:

Dial code 4	Dial code 5	Curve
0	0	1
1	0	3
0	1	2



5.2 Instruction of wiring

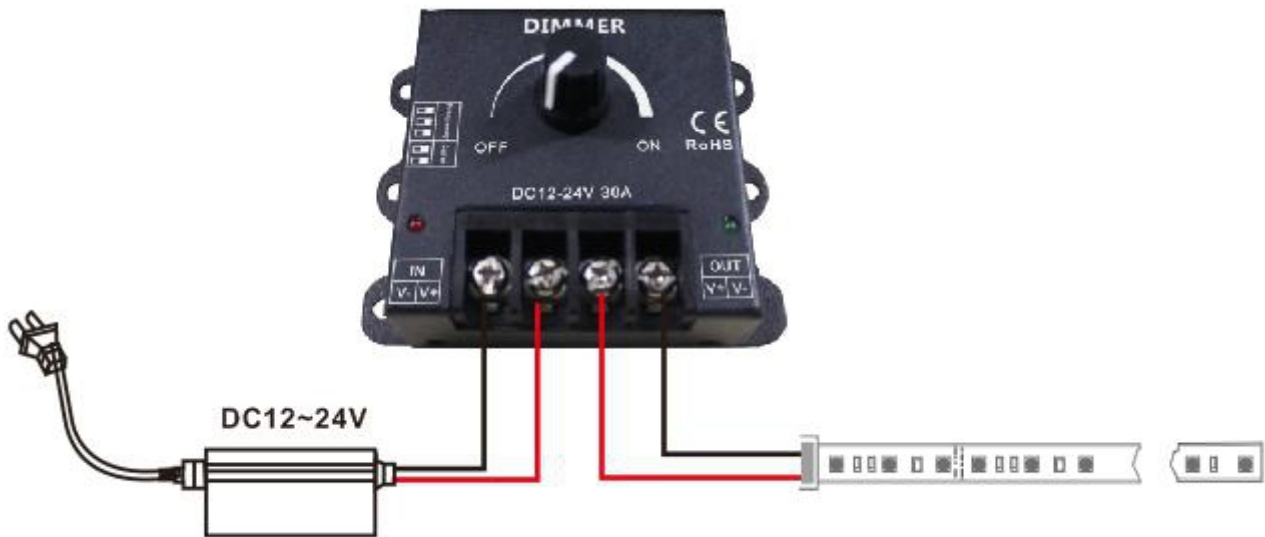
5.2.1 Connect the load wire at first, following by the power wire; Please ensure short circuit can not occur between connecting wire before you turn on the power;

5.2.2 Adopt rotary control, function as follows:

Rotate button to the right, brightness will be brighter, when you rotate it to the far right, the brightness is greatest.

Rotate button to the left, brightness will be darker, when you rotate it to the far left, the light will be turned off.

6. Typical application



7. Installation Method

Connect corresponding lines according to the interface instruction, note that the line can not be reversed;

8. Remarks

8.1 Connect the load wire at first, following by the power wire; Please ensure short circuit can not occur between connecting wire before you turn on the power;

8.2 When PWM frequency is 300HZ, and maximum load is 30A, the temperature of controller is less than 55°C; When PWM frequency is between 500HZ to 1000HZ, the temperature of controller is less than 65°C;

8.3 When PWM frequency is more than 1KHZ, the maximum output power is reduced. PWM frequency is 3KHZ, the maximum current is 20A; PWM frequency is 5KHZ, the maximum current is 15A; PWM frequency is 10KHZ, the maximum current is 10A.