

# Product Specifications

Name: 0-10V dimmer

Model: DM010



## Summarization

This dimmer have small sharp, through input 0-10V analog signal to control load output, dimmer provide 0-10 v port, it can external input 0-10v dimming, and also can connect potentiometer to dimming;The dimmer output signal adopt most advanced PWM digital brightness adjustment technology, can control a variety of lamp whose source of light is LED. For instance, point source of light,flexible strip light, wall washer lamp, glass curtain wall light and so on; It is cheap, Connection convenient, easy to use.

## Technical parameters

Working temperature: -20-60°C

Supply voltage: DC5~24V

Output: 1 channel

Connect mode: common anode

Output current: ≤8A

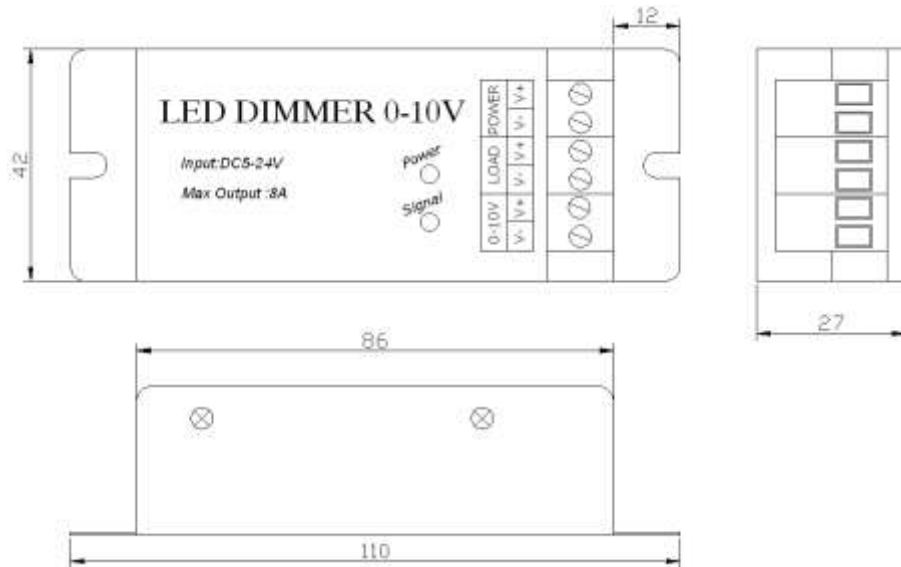
External dimension: L108 X W42 X H27 mm

Packing size: L110XW50XH40mm

Net weight: 112g

Gross weight: 135g

## External Dimension:



Unit: mm

### Interface Specifications:

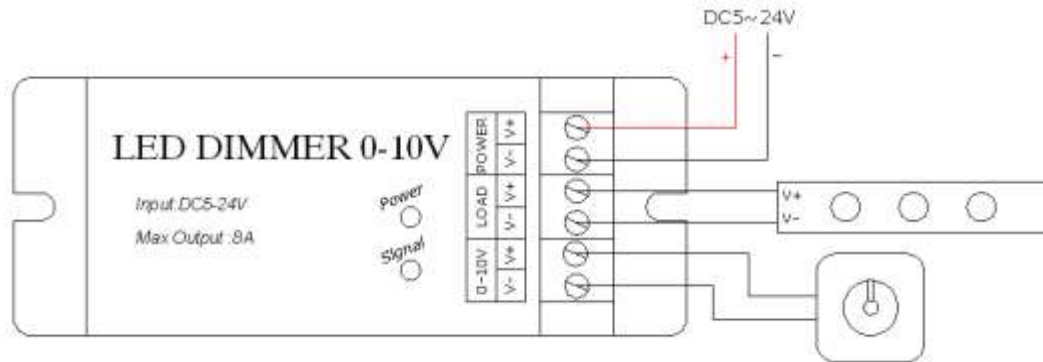
**POWER:** Power supply input port, V+ connect the positive pole of the power supply, V- connect the negative pole of power supply, power supply voltage range is DC5-24V.

**LOAD:** Load output port, V+ connect positive pole, V- connect negative pole.

**0-10V:** Dimming signal input port, can external input 0-10v dimming, and also can connect potentiometer to dimming.

### Typical Applications

1. Connect potentiometer to dimming( $R_{max} > 100K\Omega$ )



2. External connect 0-10V voltage dimming

