

---

# WF104 Mini WIFI controller

## Product Specification



Android Phone

# Catalogue

1. Summarization .....	2
2. Technical Parameters .....	2
3. Controller function .....	2
4. Explain installed hardware .....	4

## 1. Summarization

Mini Wifi controller is birth of market and customer's demand, it is one type controller which integration the newest wifi technical in the market. It makes the LED control more convenience, more hommization. We can use an Android system mobile phone to install control software, then it can control LED, this is the wishes of every customer.

Use WiFi technology can make our control range more wider, can get rid of narrow space constraint, in building can control more than 30m, in outdoor can control more than 80m.

## 2. Technical Parameters

### 2.1 Software technical parameters

2.1.1 Name: Magic Color

2.1.2 Runtime platform: Support Android system and equipment must have WiFi function.

2.1.3 versions: Android (2.52MB)

2.1.4 Language: English

2.1.5 Category: communications

2.1.6 Other: Free; no plug-ins

### 2.2 Controller technical parameters

2.2.1 Working voltage: DC5--24V

2.2.2 output control: Control LED lamps for 3channel; 2 channel; 1channel

2.2.3 output current: 5A\*3

2.2.4 Connect mode: common anode

2.2.5 Packing dimension: L104\*W62\*H41 (mm)

2.2.6 External dimension: L100\*W45\*H23 (mm)

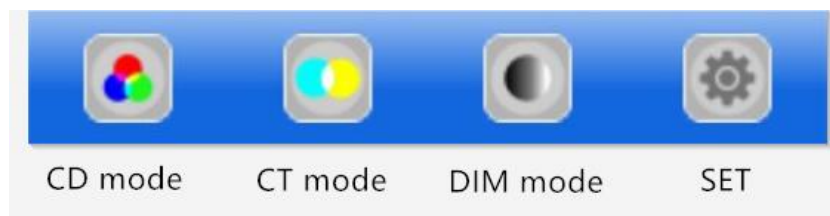
2.2.7 Net weight: 50g

2.2.8 Gross weight: 70g

2.2.9 Control Distance: in building can control more than 30m, in outdoor can control more than 80m.

## 3. Controller function

This product is small, easy to install and use. Control LED light output through the phone client software to connect WIFI. Can be adjusted through software LED lights three mode, CD mode; CT mode; DIM mode.



Each mode can be controlled not only by the software color ring, but also by the preset mode, The following are the preset mode for various states.

**3.1 The mode form of RGB Control:**

Mode number	function	remark
1	Static red	Brightness is adjustable, Speed is unadjustable
2	Static green	
3	Static blue	
4	Static yellow	
5	Static cyan	
6	Static purple	
7	Static white	
8	Three-color jumpy changing	Speed is adjustable, Brightness is unadjustable
9	Seven-color jumpy changing	
10	Three-color gradual changing	
11	Seven-color gradual changing	

**3.2 The mode form of color temperature control:**

Mode number	function	remark
1	CW	Brightness adjustable
2	80%CW	
3	60%CW	
4	40%CW	
5	20%CW	
6	PW(pure white)	
7	20%WW	
8	40%WW	
9	60%WW	
10	80%WW	
11	WW	

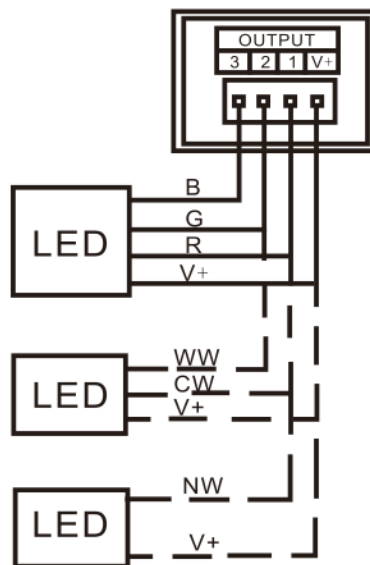
**3.3 The mode form of dimming Control:**

Mode number	function	remark
1	1%	Brightness proportion
2	10%	
3	20%	
4	30%	
5	40%	
6	50%	
7	60%	
8	70%	
9	80%	
10	90%	
11	100%	

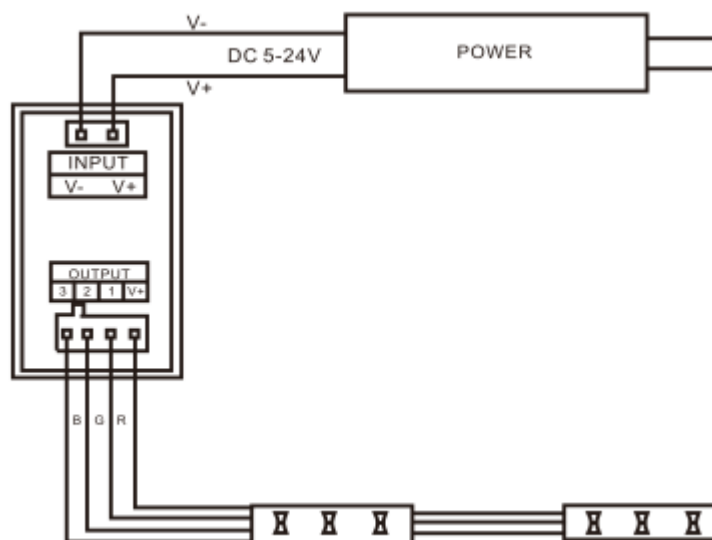
#### 4. Explain installed hardware

##### 4.1 Install power supply and LED equipment

1. There are two forms of power interface, a drawer structure and round power. Input voltage is 5-24V.
2. The output of common anode mode, V+, R, G, B respectively, According to the sign in the casing connection.
3. You need to connect LED device of RGB three channels when in CD mode.
4. You need to connect LED device group of cold white and warm white two channels when in CT mode.
5. You need to connect LED device of one channel as your need when in DIM mode.



##### 4.2 The use instructions for connect the three channels LED.

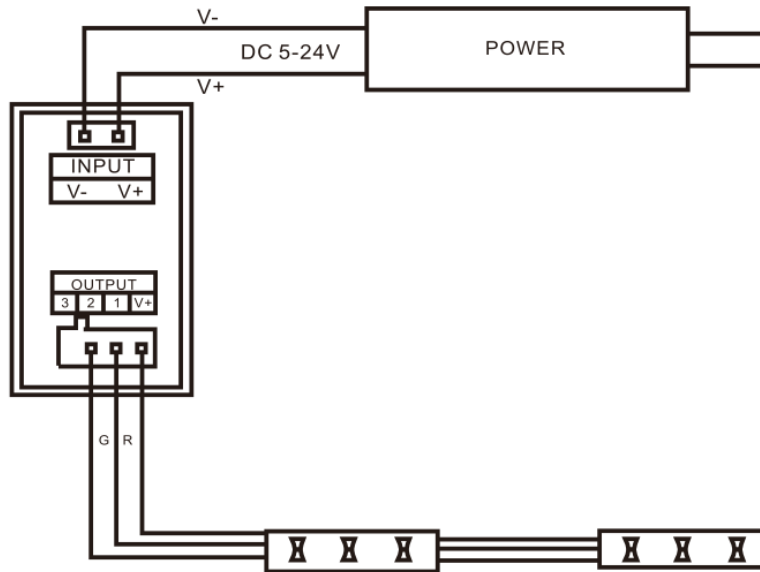


The Magic Color switch to CD mode, when you connect three channels LED. Only in this mode can the normal control of LED color, brightness, speed. Adjust the color in color wheel (you can see the change of top R, G, B values), speed / brightness bar to adjust the brightness and speed (setting the LED dynamic

effect after select the mode).

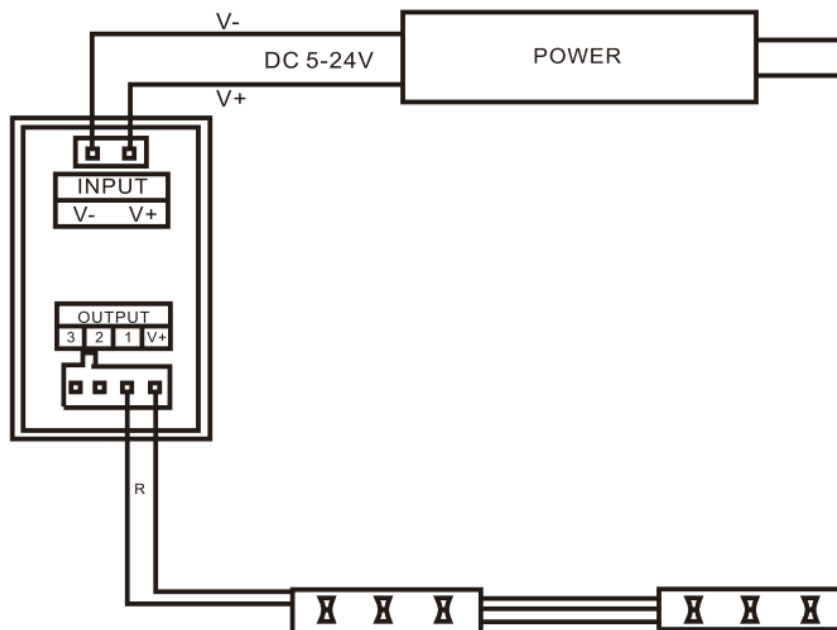
Press the mode switch key to enter 7 built-in static modes and 4 dynamic modes

#### 4.3 The use instructions for connect the two channels LED.



The Magic Color switch to CT mode, when you connect two channels LED. Only in this mode then can normal control LED color temperature, brightness and set shortcut keys of color temperature. Adjusts the color temperature in color wheel (while change the top CW and WW values), the brightness bar adjusts the brightness, and press the color temperature mode switch key to changes the color temperature.

#### 4.4 The use instructions for connect the one channel LED.



The Magic Color switch to DIM mode, when you connect one channel LED. Using the color wheel to control the LED brightness in this mode, also you can see the change of above the brightness value.